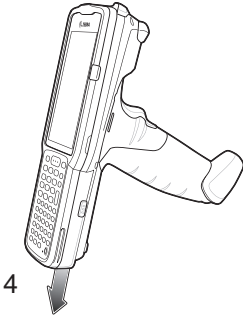
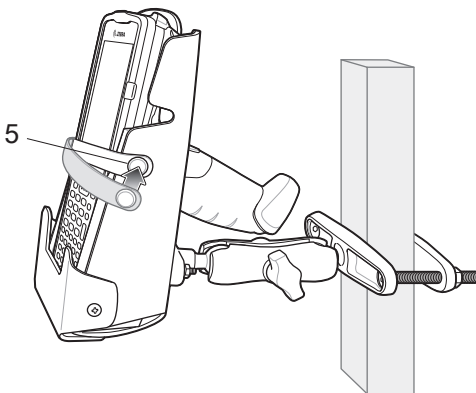
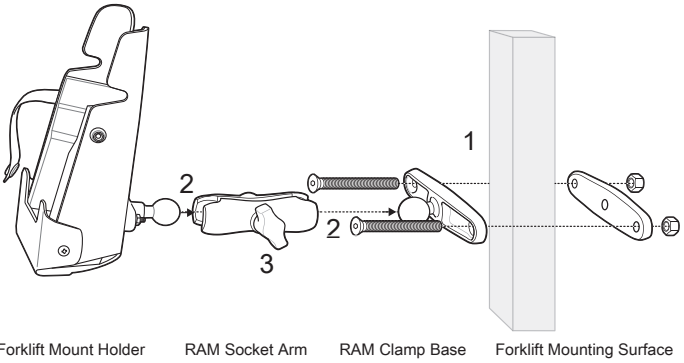


# MC33XX Un-Powered Forklift Mount Installation Guide



1. Secure RAM Clamp Base to Forklift Mounting Surface.
2. Attach RAM Socket Arm to RAM Clamp Base and Forklift Mount Holder.
3. Turn the Socket Arm hand-screw clockwise until tight.
4. Insert device in Forklift Mount Holder in an upright position.
5. Secure device with rubber strap and snap into place.



ZEBRA and the stylized Zebra head are trademarks of Zebra Technologies Corporation, registered in many jurisdictions worldwide. All other trademarks are the property of their respective owners. ©2019 Zebra Technologies Corporation and/or its affiliates. All rights reserved.

