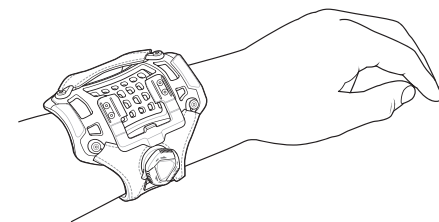


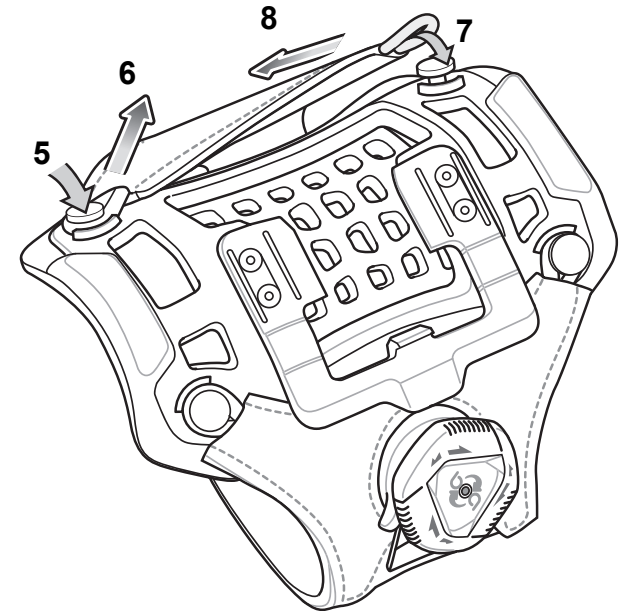
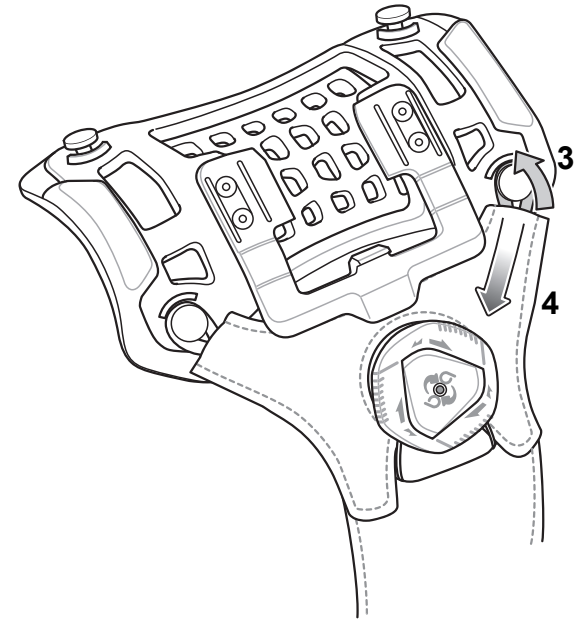
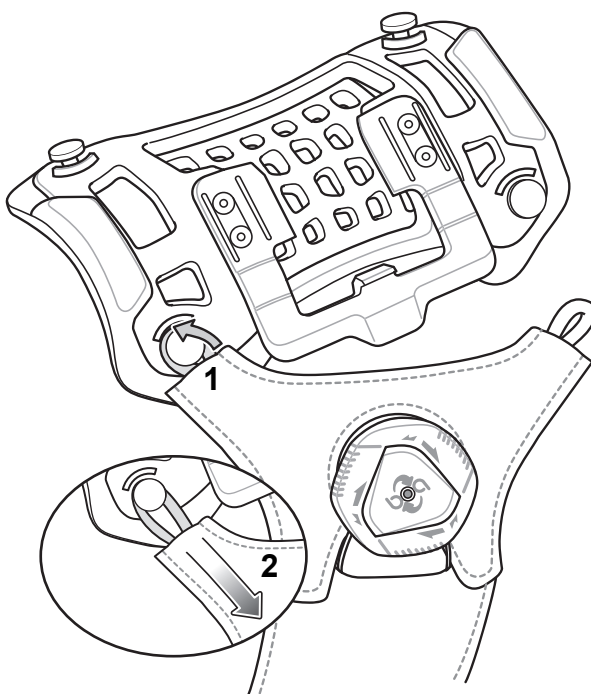
WT6000

Installation

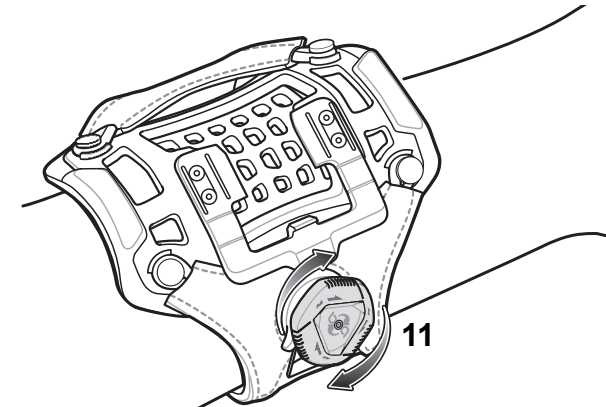
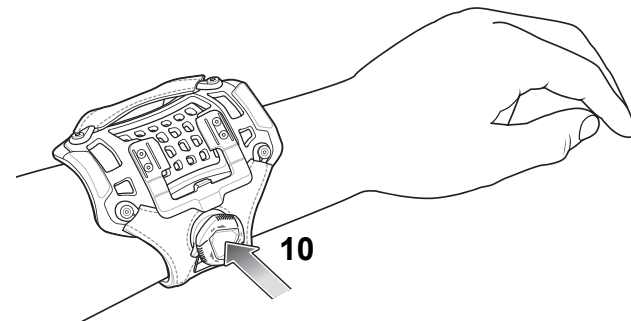
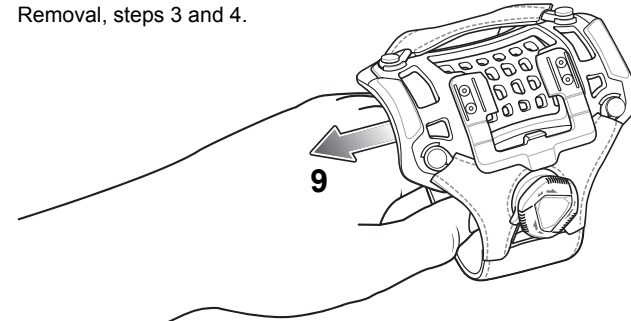


Wrist Mount

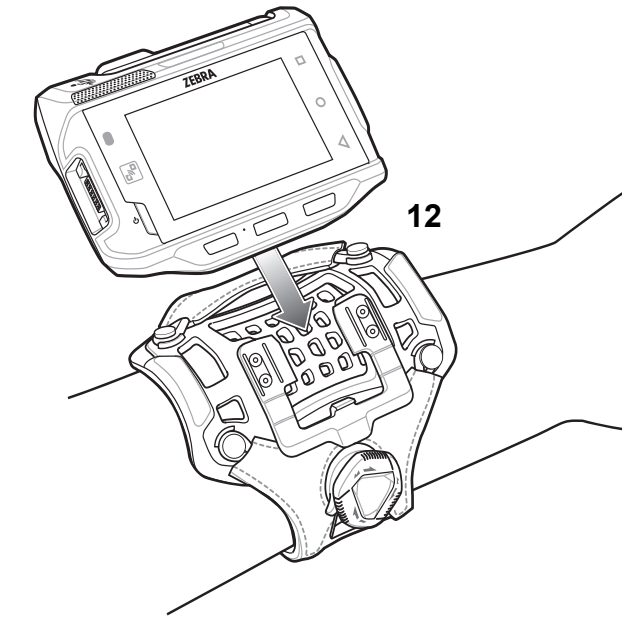
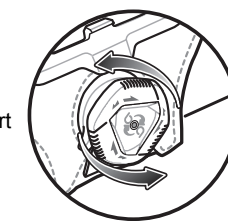
Installation Guide



NOTE: Expand strap if required. See Removal, steps 3 and 4.



Adjust for Comfort
To remove see Removal on page 2.



Zebra reserves the right to make changes to any product to improve reliability, function, or design. Zebra does not assume any product liability arising out of, or in connection with, the application or use of any product, circuit, or application described herein. No license is granted, either expressly or by implication, estoppel, or otherwise under any patent right or patent, covering or relating to any combination, system, apparatus, machine, material, method, or process in which the products might be used. An implied license exists only for equipment, circuits, and subsystems contained in Zebra products.



Zebra Technologies Corporation
Lincolnshire, IL, U.S.A.

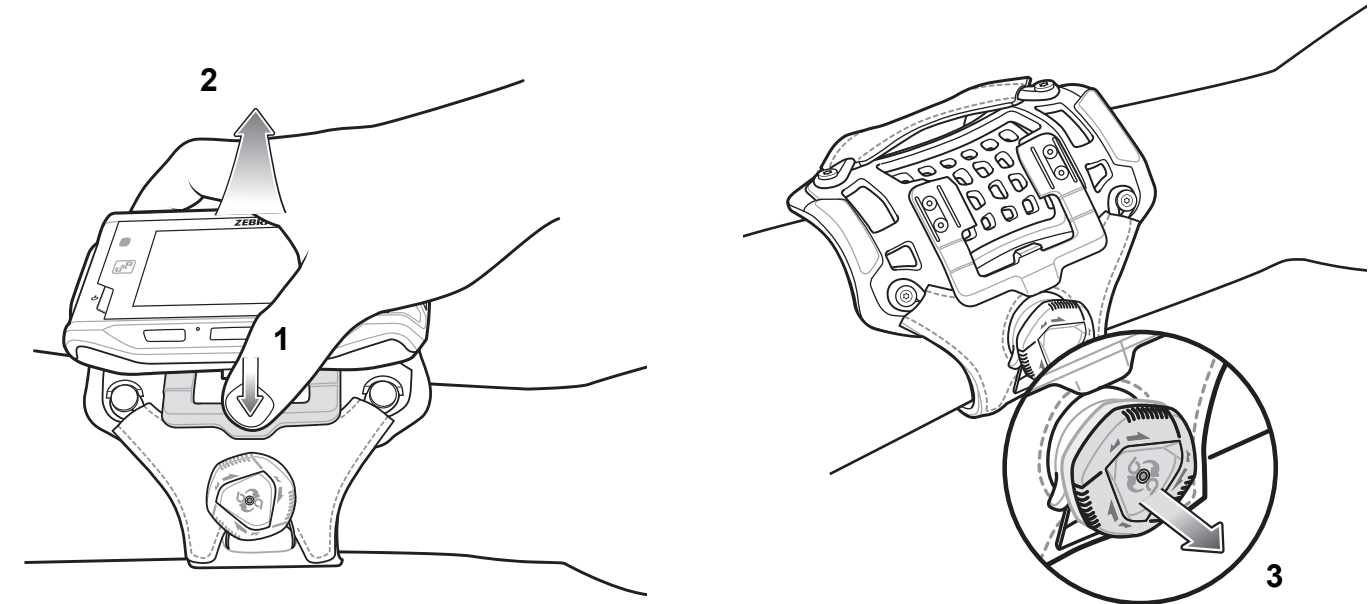
Zebra and the stylized Zebra head are trademarks of ZIH Corp., registered in many jurisdictions worldwide. All other trademarks are the property of their respective owners.
© 2016 Symbol Technologies LLC, a subsidiary of Zebra Technologies Corporation. All rights reserved.



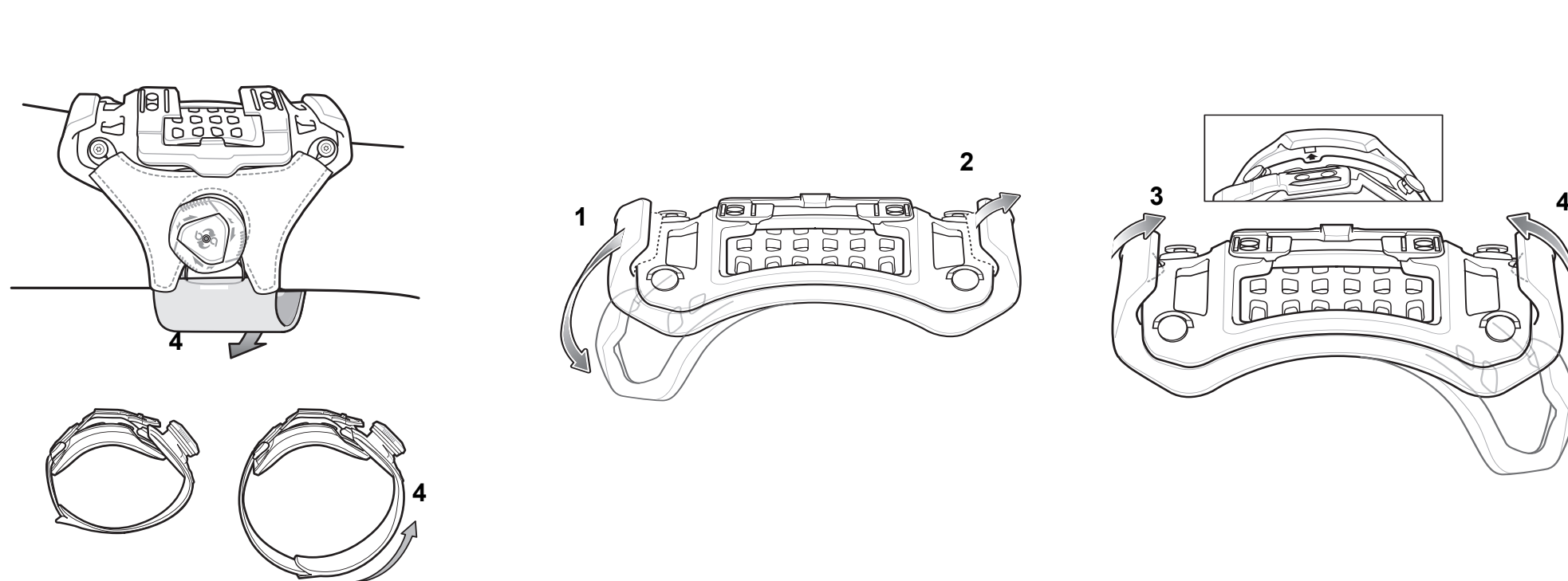
MN-002731-01 Revision A — April 2016



Removal



Comfort Pad Replacement



Cleaning

See the *WT6000 User Guide* for cleaning instructions.

Warranty

For the complete hardware product warranty statement, go to: <http://www.zebra.com/warranty>.

Service Information

If you have a problem using the equipment, contact your facility's Technical or Systems Support. If there is a problem with the equipment, they will contact the Customer Support at: <http://www.zebra.com/support>.

For the latest version of this guide go to: <http://www.zebra.com/support>.